



## 12v Automatic Charger (Auto Cut OFF)



by hawkarFariq

what is auto cut off battery charger?

some off charger maybe can't stop charging when the battery is fully charged.



### Step 1: Circuit

so we want to show you a simple circuit for the charger when the battery is fully charged, the charging automatically stopping,

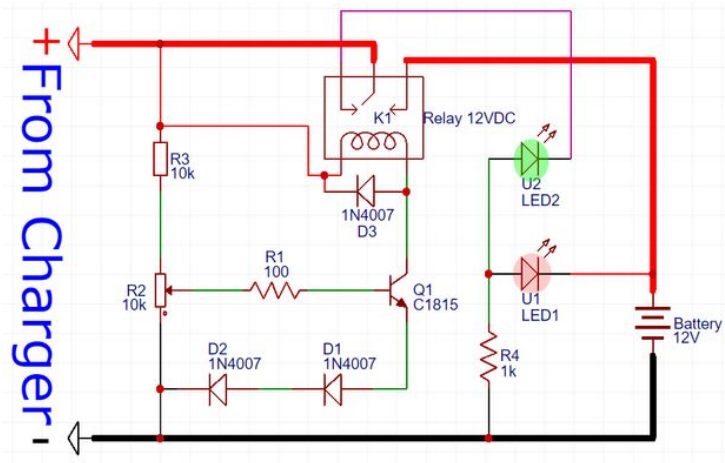
this is a circuit of the auto cut off battery charger, it has only:-

- one NPN transistor such as c1815 for controlling the charging,

- relay for cutting off this current path through the battery after fully charged,

- 10 kilo-ohm variable resistor connected to the base of the transistor,

the variable resistor used for restricting the voltage from how many volts you want to stop charging!



## Step 2: Print

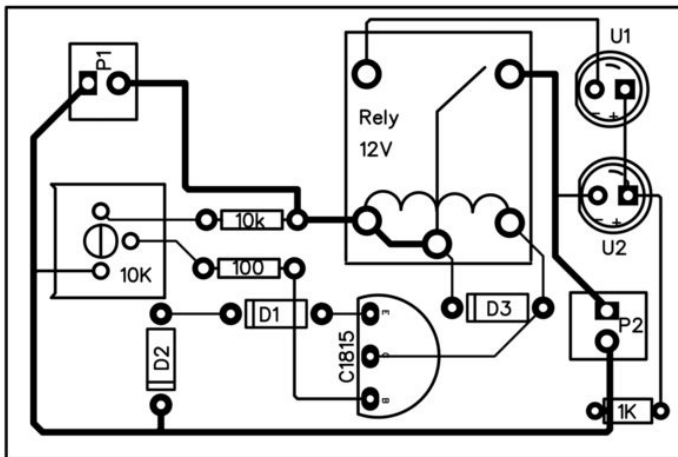
We prepared this circuit for you,

you can download it from the link below

12v Automatic Charger (Auto Cut OFF)

then print it by any printer,

and use any prototyping electronic circuit after that stick the paper to the board,



## Step 3: Video

you can see this video and make step by step with this video

[https://www.youtube.com/watch?v=XvNWHkb\\_GH8&t=7s](https://www.youtube.com/watch?v=XvNWHkb_GH8&t=7s)